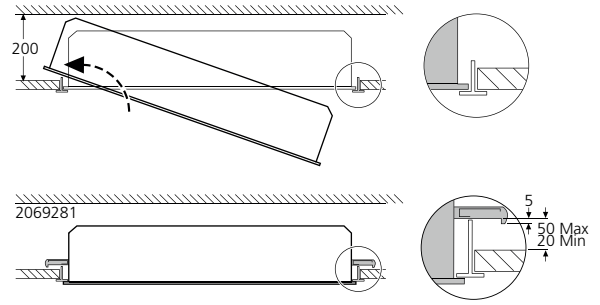
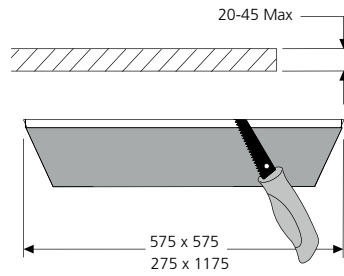
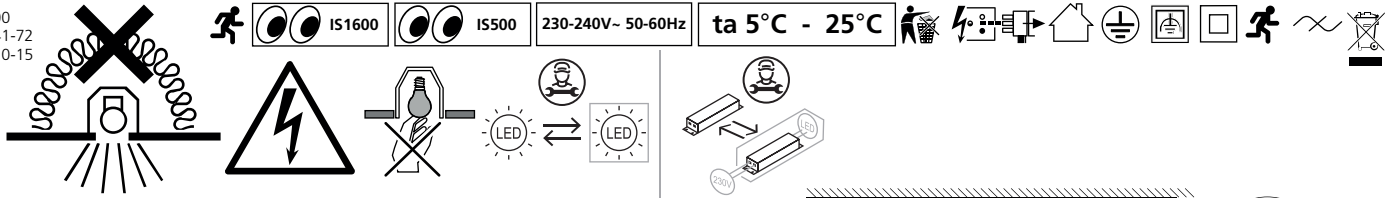
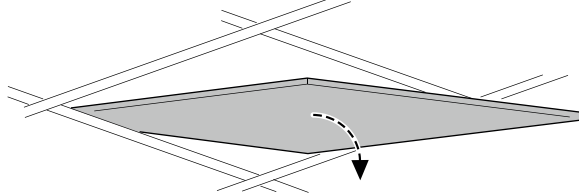


2069000
2069241-72
2069310-15

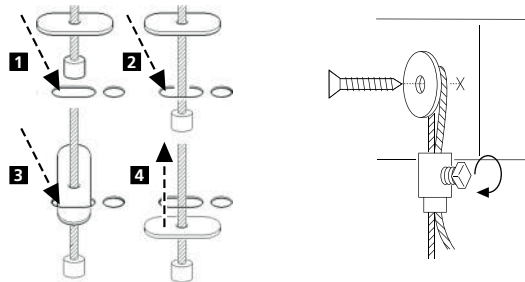


1

600 x 600
&
1200 x 300



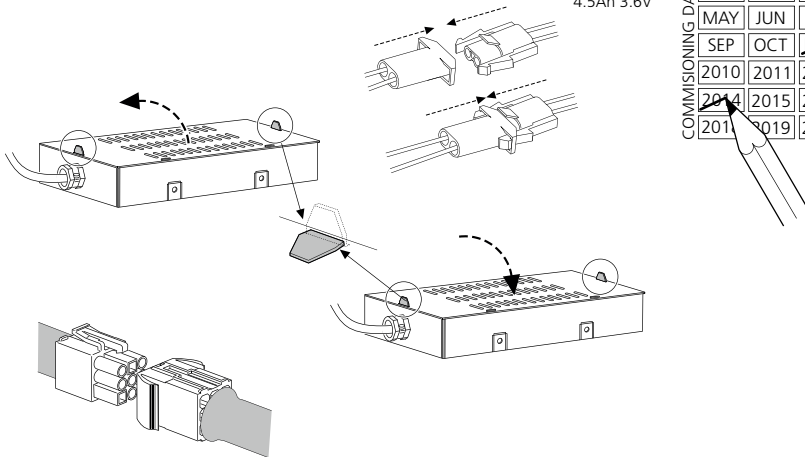
2 2047754



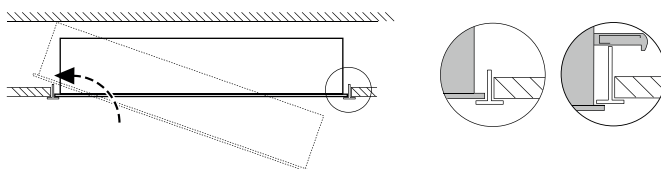
2

3 Cells NiMh
4.5Ah 3.6V

COMMISSIONING DATE	JAN	FEB	MAR	APR
	MAY	JUN	JUL	AUG
	SEP	OCT	NOV	DEC
	2010	2011	2012	2013
	2014	2015	2016	2017
	2018	2019	2020	2021



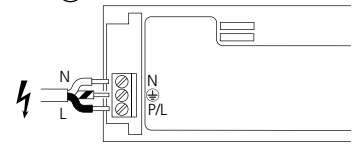
3



2 230-240V~ + ⚡

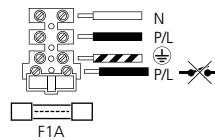
1.0mm² Min.

2069000
2069243
2069249
2069252
2069255
2069261



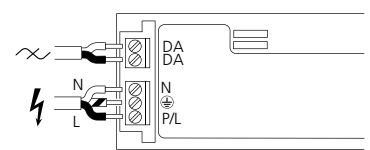
2 230-240V~ + ⚡

2069246



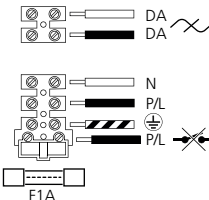
2 230-240V~ + DALI

2069241
2069244
2069250
2069253
2069256
2069262
2069264
2069266



2 230-240V~ + DALI + ⚡

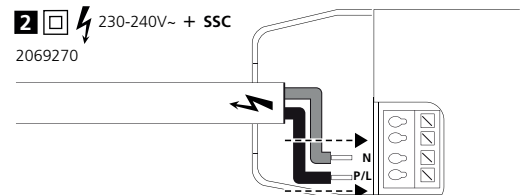
2069245
2069257
2069267



DALI = 1.5mm² Min.

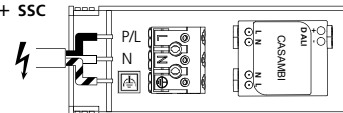
2 230-240V~ + SSC

2069270



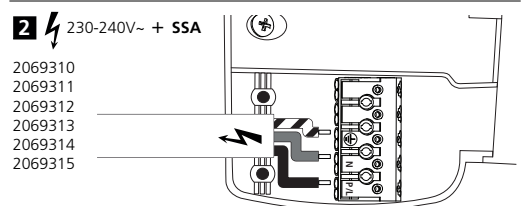
2 230-240V~ + SSC

2069271
2069272

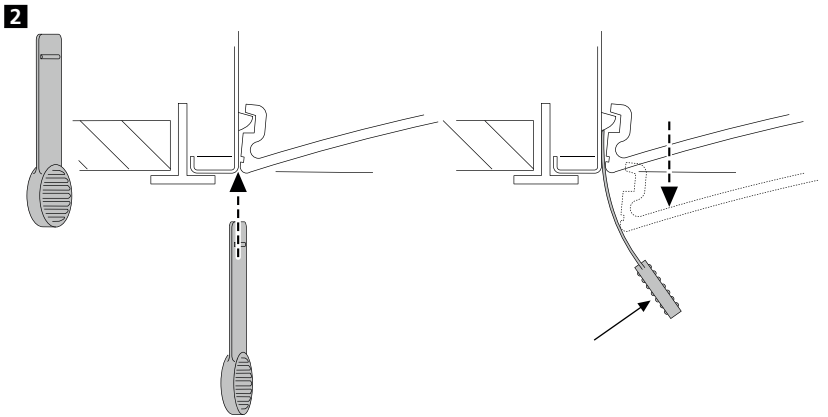
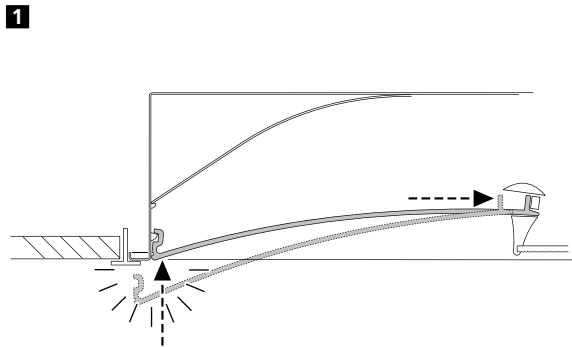
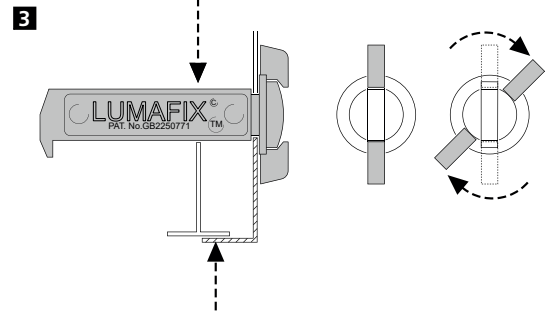
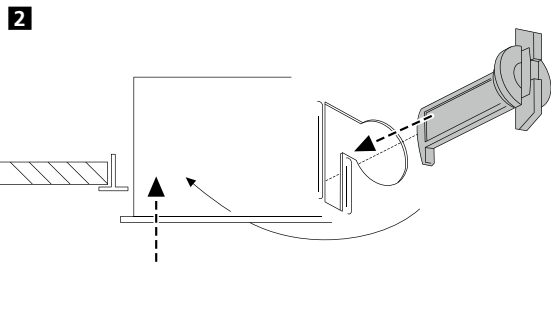
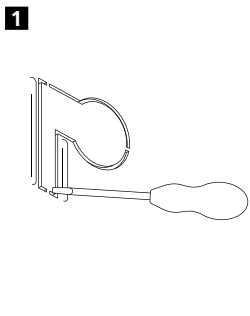
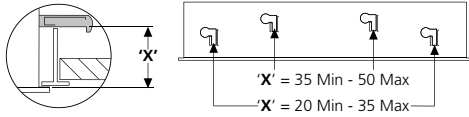


2 230-240V~ + SSA

2069310
2069311
2069312
2069313
2069314
2069315



2047754



2658507

